



























































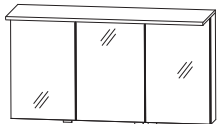
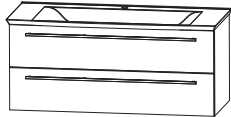




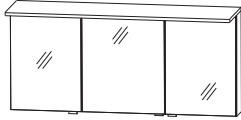
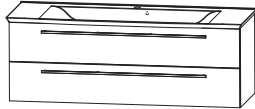

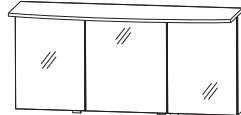






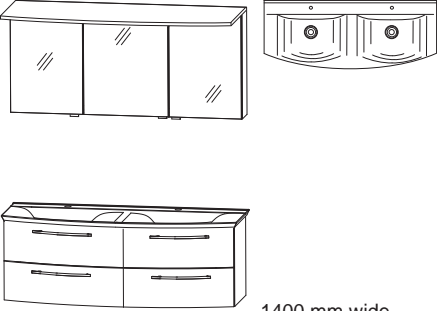
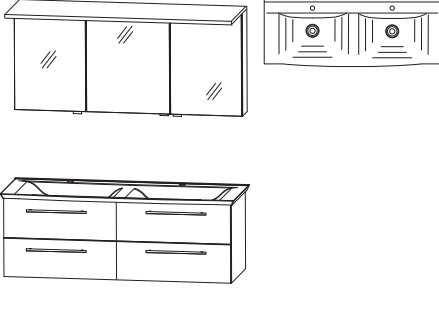




## b - bright - bathroom variations

<b>BBM-0112-2G</b>		 		
1	Mirror cabinet LED			S 2 A 4 3 1 2 8 8
1	Washbasin base unit			W U A 3 3 1 2 0 8
1	Washbasin, cast mineral, white, 1200 mm LED			S W M G 1 2 0 B 1
Sum				
Surcharge high-gloss carcass Surcharge chrome edge pull-out Surcharge glass rail			1200 mm wide	
<b>BBM-0112-2R</b>		 		
1	Mirror cabinet LED			S 2 A 4 3 1 2 8 7
1	Washbasin base unit			W U A 3 6 1 2 0 8
1	Washbasin, cast mineral, white, 1200 mm LED			S W M R 1 2 0 B 1
Sum				
Surcharge high-gloss carcass Surcharge chrome edge pull-out			1200 mm wide	
<b>BBM-0114-3G</b>		 		
1	Mirror cabinet LED			S 2 A 4 3 1 4 8 8
1	Washbasin base unit			W U A 3 3 1 4 0 8
1	washbasin, mineral, white, 1400 mm LED			S W M G 1 4 0 B 1
Sum				
Surcharge high-gloss carcass Surcharge chrome edge pull-out Surcharge glass rail			1400 mm wide	
<b>BBM-0114-3R</b>		 		
1	Mirror cabinet LED			S 2 A 4 3 1 4 8 7
1	Washbasin base unit			W U A 3 6 1 4 0 8
1	washbasin, mineral, white, 1400 mm LED			S W M R 1 4 0 B 1
Sum				
Surcharge high-gloss carcass Surcharge chrome edge pull-out			1400 mm wide	

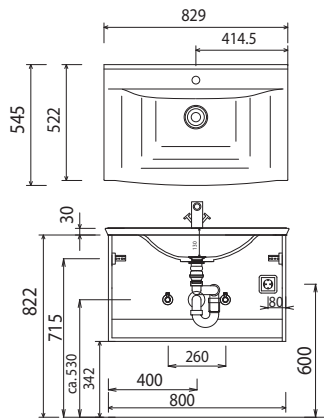
## b - bright - bathroom variations

<b>BBM-0114-2R</b>		 <p style="text-align: right;">1400 mm wide</p>
1	Mirror cabinet LED S 2 A 4 3 1 4 8 7	
1	Washbasin base unit W U A 3 6 1 4 3 M	
1	Double washbasin white cast mineral, 1400 mm LED S W M R 1 4 D B 1	
Sum		
Surcharge high-gloss carcass Surcharge chrome edge pull-out		
<b>BBM-0114-2G</b>		 <p style="text-align: right;">1400 mm wide</p>
1	Mirror cabinet LED S 2 A 4 3 1 4 8 8	
1	Washbasin base unit W U A 3 3 1 4 D 8	
1	Double washbasin white cast mineral, 1400 mm LED S W M G 1 4 D B 1	
Sum		
Surcharge high-gloss carcass Surcharge chrome edge pull-out Surcharge glass rail		

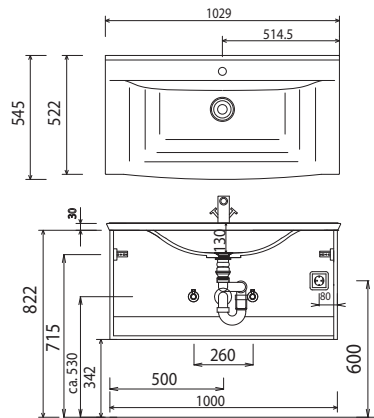


## b - bright - dimensional drawings

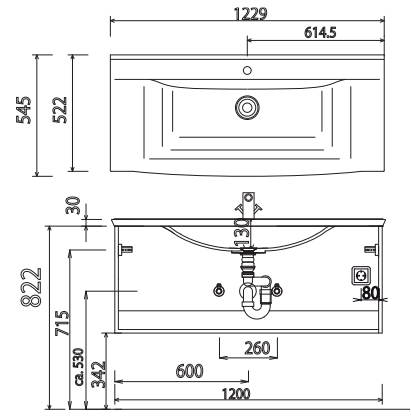
SWM G080



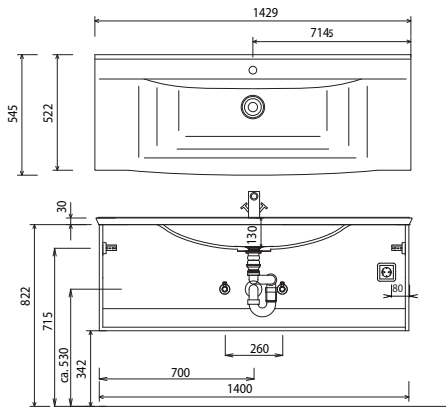
SWM G100



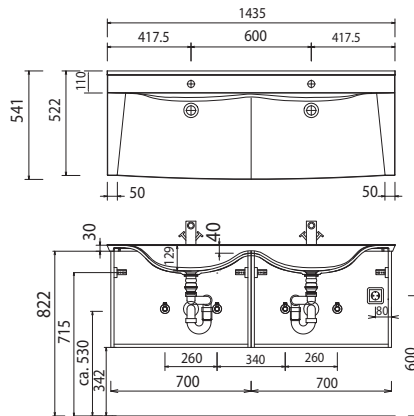
SWM G120



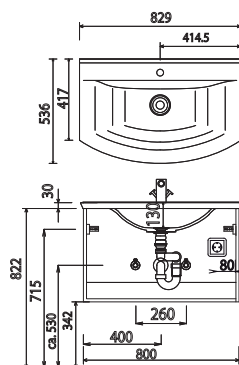
SWM G140



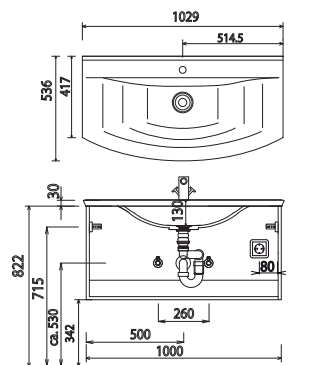
SWM G14D



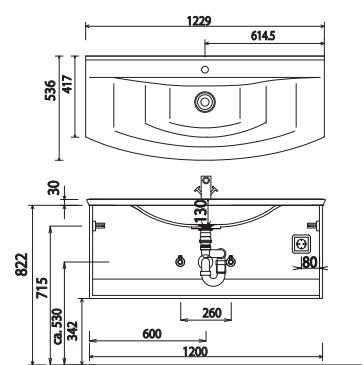
SWM R080



SWM R100



SWM R120



For washing stands with fixing screws, the dimensions for boring must be drawn in on-site after the washing stand has been laid on the floor unit.

**Washing stands without anchoring brackets have to be fixed on the wall and on the furniture-side with silicon!**

Cast mineral:

The water temperature must not exceed 55° C / 131° F. Hair tinting lotions have to be removed immediately, so that staining can be avoided.

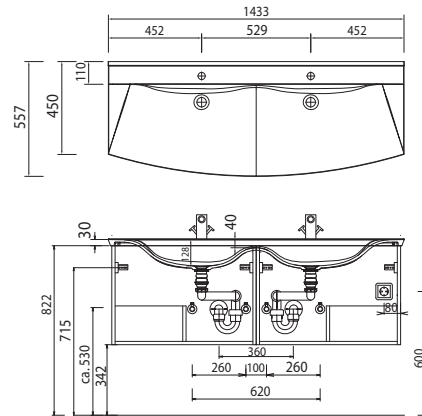
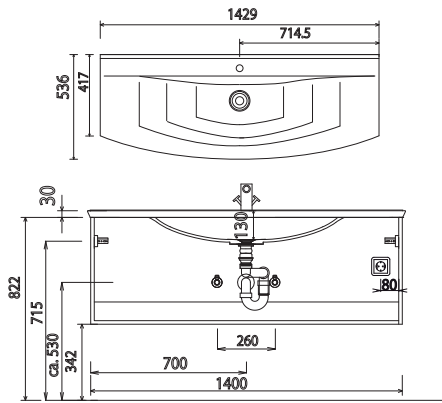
Modifications:

Technical modifications (+/- 5mm) and flatness modifications (DIN 18202) are subject of the usual material-specific modifications for construction materials, based on DIN 18202.

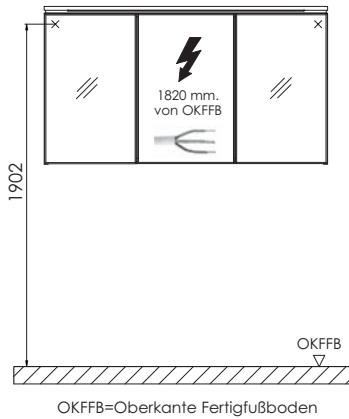
## b - bright - dimensional drawings

SWM R140

SWM R14D



### electrical connections for mirror cabinets



OKFFB=Oberkante Fertigfußboden

For washing stands with fixing screws, the dimensions for boring must be drawn in on-site after the washing stand has been laid on the floor unit.

**Washing stands without anchoring brackets have to be fixed on the wall and on the furniture-side with silicon!**

Cast mineral:

The water temperature must not exceed 55° C / 131° F. Hair tinting lotions have to be removed immediately, so that staining can be avoided.

Modifications:

Technical modifications (+/- 5mm) and flatness modifications (DIN 18202) are subject of the usual material-specific modifications for construction materials, based on DIN 18202.